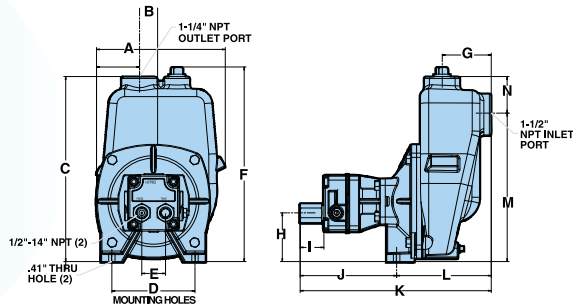


# Hydraulically-Driven, Cast Iron & Stainless Steel, Self-Priming

Series 9303C-SP and 9303S-SP Includes Models: 9303C-HM1C-SP, 9303C-HM2C-SP, 9303C-HM3C-SP, 9303C-HM4C-SP, 9303C-HM5C-SP, 9303S-HM1C-SP, 9303S-HM2C-SP, 9303S-HM3C-SP, 9303S-HM4C-SP and 9303S-HM5C-SP



Series 9303C-SP and 9303S-SP



Dimensions		
	Standard	mm
A	8.13	206.6
B	0.88	22.2
C	11.69	296.8
D	5.25	133.4
E	1.50	38.1
F	12.29	312.2
G	3.09	78.6
H	3.08	78.2
I	1.50	38.1
J	See Charts Below	
K	See Charts Below	
L	5.98	151.8
M	9.38	238.2
N	2.31	58.7

## FEATURES

- Hydraulic motor drive (for open center, closed center and load-sensing systems)
- Port sizes: 1½" NPT inlet, 1¼" NPT outlet
- Max. fluid temperature: 140°F/60°C
- Housing: cast iron and 316 stainless steel
- Impeller: Cast Iron models – Nylon; (GTX available)  
Stainless Steel models – Polypropylene
- Motor: internal gear gerotor
- Hydraulic ports: ½" NPT
- Max. motor psi: 3000
- Weight: 38 lbs./17.3 kg
- Centrifugal shaft seals: Cast Iron models – Viton/ceramic standard; Life Guard® silicon carbide (B) and Buna-N ceramic available; Stainless Steel models – Life Guard® silicon carbide
- Hydraulic motor seal: double-lip Teflon

9303C/S -HM2C-SP		
	Standard	mm
J	6.09	154.8
K	12.07	306.5

9303C/S -HM4C-SP		
	Standard	mm
J	6.14	156.0
K	12.12	307.8

9303C/S -HM1C-SP		
	Standard	mm
J	6.34	161.1
K	12.32	312.9

## Order Information

Model Number	Max GPM	Max PSI	Max Hyd. GPM	Hydraulic Selection System
9303C-HM1C-SP	122	130	13 GPM	Open/Closed
9303C-HM2C-SP	104	80	6 GPM	Open/Closed
9303C-HM3C-SP	120	95	24 GPM	Large open
9303C-HM4C-SP	99	97	7 GPM	Open/Closed
9303C-HM5C-SP	140	140	16 GPM	Open/Closed
9303S-HM1C-SP	114	130	13 GPM	Open/Closed
9303S-HM2C-SP	97	95	6 GPM	Open/Closed
9303S-HM3C-SP	125	98	20 GPM	Open/Closed
9303S-HM4C-SP	115	93	7 GPM	Open/Closed
9303S-HM5C-SP	147	145	16 GPM	Open/Closed
3430-0589	Life Guard® silicon carbide seal kit			
3430-0480SP	Self priming chamber kit			

9303C/S -HM5C-SP		
	Standard	mm
J	6.47	164.3
K	12.44	316.1

9303C/S -HM3C-SP		
	Standard	mm
J	6.84	173.8
K	12.82	325.6

Life Guard® silicon carbide seal - Add suffix "B" (i.e.: 9303C-HM1C-SP-B)

**9303C-HM1C-SP, 9303S-HM1C-SP****English Standard**

Hyd. Flow GPM	GPM at 10 PSI	GPM at 20 PSI	GPM at 30 PSI	GPM at 40 PSI	GPM at 50 PSI	GPM at 60 PSI	GPM at 70 PSI	GPM at 80 PSI	GPM at 90 PSI	GPM at 100 PSI	GPM at 110 PSI
11	119	111	102	89	75	58	42	25			
12	122	120	113	104	94	81	69	55	39	24	
13	122	121	119	111	102	90	78	65	52	39	26

**9303C-HM1C-SP, 9303S-HM1C-SP****Metric**

Hyd. Flow LPM	LPM at 0.7 BAR	LPM at 1.4 BAR	LPM at 2.1 BAR	LPM at 2.8 BAR	LPM at 3.4 BAR	LPM at 4.1 BAR	LPM at 4.8 BAR	LPM at 5.5 BAR	LPM at 6.2 BAR	LPM at 6.9 BAR	LPM at 7.6 BAR
41.6	450	420	386	337	284	220	159	95			
45.4	462	454	428	394	356	307	261	208	148	91	
49.2	462	458	450	420	386	341	295	246	197	148	98

**9303C-HM2C-SP, 9303S-HM2C-SP****English Standard**

Hyd. Flow GPM	GPM at 10 PSI	GPM at 20 PSI	GPM at 30 PSI	GPM at 40 PSI	GPM at 50 PSI	GPM at 60 PSI	GPM at 70 PSI
4	57	43	26				
5	80	67	53	39	23		
6	98	88	78	67	55	42	29

**9303C-HM2C-SP, 9303S-HM2C-SP****Metric**

Hyd. Flow LPM	LPM at 0.7 BAR	LPM at 1.4 BAR	LPM at 2.1 BAR	LPM at 2.8 BAR	LPM at 3.4 BAR	LPM at 4.1 BAR	LPM at 4.8 BAR
15.1	216	163	98				
18.9	303	254	201	148	87		
22.7	371	333	295	254	208	159	110

**9303C-HM3C-SP, 9303S-HM3C-SP****English Standard**

Hyd. Flow GPM	GPM at 10 PSI	GPM at 20 PSI	GPM at 30 PSI	GPM at 40 PSI	GPM at 50 PSI	GPM at 60 PSI	GPM at 70 PSI	GPM at 80 PSI
15	104	90	74	55	23			
18	119	113	102	87	69	46		
20	120	119	114	106	91	74	55	33

**9303C-HM3C-SP, 9303S-HM3C-SP****Metric**

Hyd. Flow LPM	LPM at 0.7 BAR	LPM at 1.4 BAR	LPM at 2.1 BAR	LPM at 2.8 BAR	LPM at 3.4 BAR	LPM at 4.1 BAR	LPM at 4.8 BAR	LPM at 5.5 BAR
56.8	394	341	280	208	87			
68.1	450	428	386	329	261	174		
75.7	454	450	432	401	344	280	208	125

**9303C-HM4C-SP, 9303S-HM4C-SP****English Standard**

Hyd. Flow GPM	GPM at 10 PSI	GPM at 20 PSI	GPM at 30 PSI	GPM at 40 PSI	GPM at 50 PSI	GPM at 60 PSI	GPM at 70 PSI	GPM at 80 PSI
5	72	60	46	30	15			
6	87	79	66	52	38	27	13	
7	95	91	84	71	58	42	30	16

**9303C-HM4C-SP, 9303S-HM4C-SP****Metric**

Hyd. Flow LPM	LPM at 0.7 BAR	LPM at 1.4 BAR	LPM at 2.1 BAR	LPM at 2.8 BAR	LPM at 3.4 BAR	LPM at 4.1 BAR	LPM at 4.8 BAR	LPM at 5.5 BAR
18.9	273	227	174	114	57			
22.7	329	299	250	197	144	102	49	
26.5	360	344	318	269	220	159	114	61

**9303C-HM5C-SP, 9303S-HM5C-SP****English Standard**

Hyd. Flow GPM	GPM at 10 PSI	GPM at 20 PSI	GPM at 30 PSI	GPM at 40 PSI	GPM at 50 PSI	GPM at 60 PSI	GPM at 70 PSI	GPM at 80 PSI	GPM at 90 PSI	GPM at 100 PSI	GPM at 110 PSI
13	114	111	102	89	75	58	42	25			
14	118	117	113	104	94	81	69	55	39	24	
15	122	121	119	111	102	90	78	65	52	39	26

**9303C-HM5C-SP, 9303S-HM5C-SP****Metric**

Hyd. Flow LPM	LPM at 0.7 BAR	LPM at 1.4 BAR	LPM at 2.1 BAR	LPM at 2.8 BAR	LPM at 3.4 BAR	LPM at 4.1 BAR	LPM at 4.8 BAR	LPM at 5.5 BAR	LPM at 6.2 BAR	LPM at 6.9 BAR	LPM at 7.6 BAR
49.2	432	420	386	337	284	220	159	95			
53.0	447	443	428	394	356	307	261	208	148	91	
56.8	462	458	450	420	386	341	295	246	197	148	98